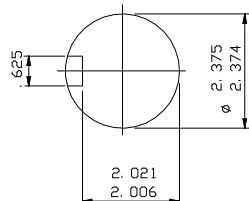
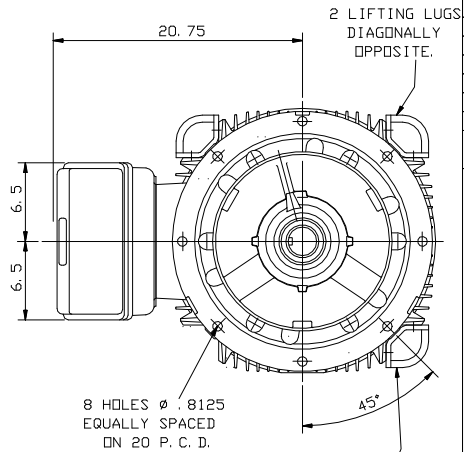


CABLE ENTRY
SCREWED 3" N. P. T.

NOTE: -
CABLE ENTRY CAN BE SUPPLIED IN
ANY ONE OF FOUR POSITIONS AT
90° INTERVALS.

NOTE: -
STANDARD MACHINES ARE ARRANGED FOR HORIZONTAL OVERHUNG MOUNTING.
CUSTOMERS SHOULD NOTIFY US WHEN ORDERING IF VERTICAL MOUNTING
IS REQUIRED. IF VERTICAL, THE MOTOR THRUST BEARING MUST NOT BE
ALLOWED TO TAKE ANY LOAD OTHER THAN THE WEIGHT OF THE ROTOR
WITHOUT OUR APPROVAL.



ENLARGED VIEW OF
SHAFT EXTENSION
(SCALE 1: 2.)

CUSTOMER			
ORDER No.			
SERIAL No.			
FRAME SIZE			
kW		RPM.	
Hz		PHASE 3	
VOLTS		POLES	
BRGS.		DE.	
		NDE.	
MOTOR NETT. WT.		Kg.	
INSULATION CLASS			
TEMPERATURE RISE °C			
DESIGN AMBIENT TEMPERATURE °C			
HEATER WATTS & VOLTS		WATTS, VOLTS	

REMARKS



ALL DIMENSIONS IN INCHES



THIRD ANGLE
PROJECTION

BROOK CROMPTON

Large Industrial Motors
GUISSELEY, LEEDS, LS20 9NZ.

NOTE 1
25 ENDPLAY WILL BE PROVIDED FOR ENDTHRUST
PROTECTION WHEN CUSTOMERS NOTIFY US OF THEIR
INTENTION TO USE RIGID COUPLINGS AND DRIVEN
MACHINES WITHOUT ENDPLAY.

OUTLINE DIMENSIONS OF STANDARD D FLANGE MOUNTED INCH A. C. MOTOR
TO NEMA STD. MG1. TOTALLY ENCLOSED FAN COOLED.
FITTED WITH SIDE MOUNTED TERMINAL BOX
FRAME SIZE: W-DF447TS-D (2 POLE ONLY.)

SCALE	1:8	DATE
DRAWN	ME	5.9.00
CHECKED	JP	5.9.00
APPROVED	JP	5.9.00

DRG. No.	M22134
REVISION:	DATE: